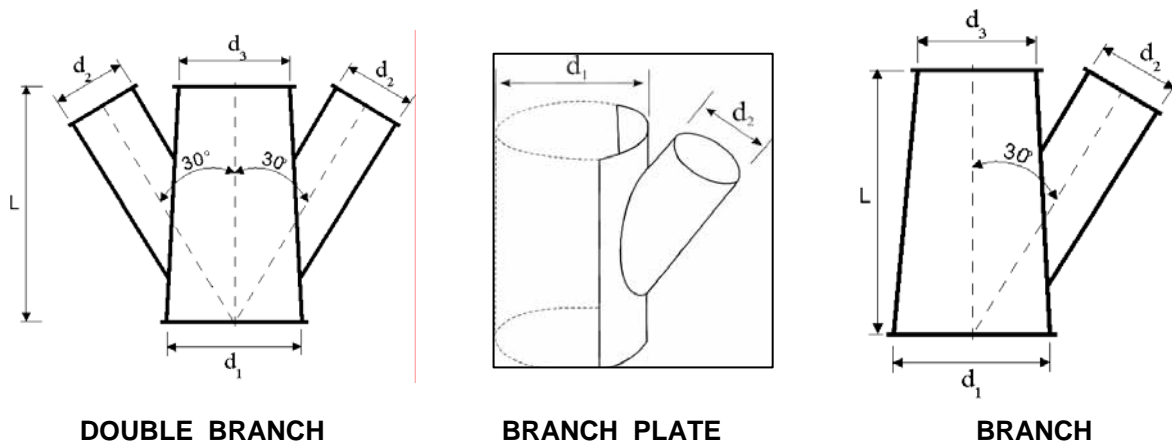


General information

Table of branches, branch plates, double branches lengths



Ø B	Length L, mm
80 – 150	350
160	400
180 – 225	450
250	550
300 – 350	750
400	850
450	950
500	1.050
550 – 600	1.250
650 – 700	1.450
750 – 800	1.650
850 – 900	1.850
950 – 1.000	2.050

Material thickness of all products, except branch plates and dampers ADWP, MADA, GADA

Ø 100 – Ø 315	0,7 mm
Ø 350 – Ø 1.000	1 mm

Material thickness of branch plate back – 1 mm, and branches

Ø 100 – Ø 315	0,7 mm
Ø 350 – Ø 1.000	1 mm

Material thickness of dampers ADWP and MADA

	External part	Internal part
Ø 50 – Ø 200	1,5 mm	2 mm
Ø 225 – Ø 400	2 mm	3 mm
Ø 450 – Ø 800	3 mm	4 mm

Material thickness of damper GADA

External part	Internal part
1 mm	2 mm

Material thickness of damper GATV - 1 mm